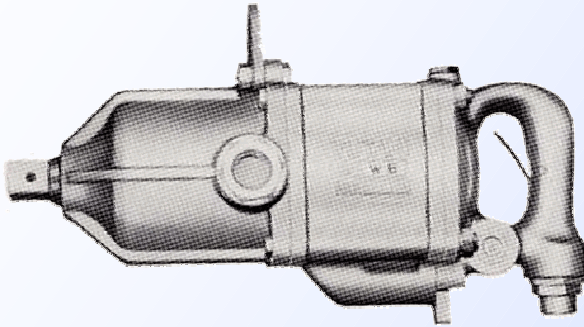


## Press Maintenance Tools

### Hand Tools and Accessories

#### Pneumatic Wrench



An Air Wrench for tightening and releasing the Cage Clamping Bolts.

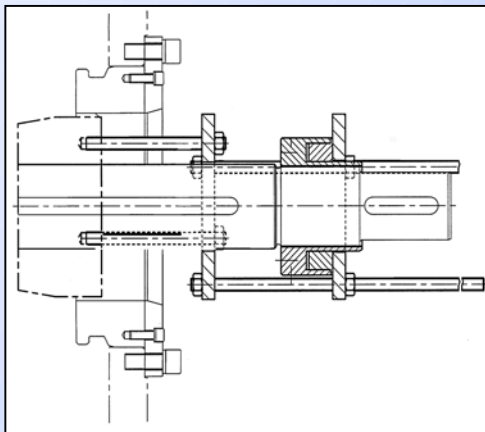
Bolt Size	48mm
Free Speed	2,800 RPM
Weight	21.0 Kg
Overall Length	445mm
Square Drive Size	1.5"
Air Consumption	2.0 m <sup>3</sup> /min
Air Inlet	1/2"

#### Shaft Tensioning Jack



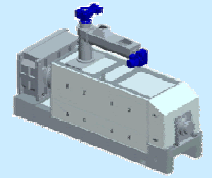
The Shaft Tensioning Jack. This is a Hydraulic Bolt Tensioner. It is used to press the Shaft components together so that the Shaft End Nut can be easily Hand Tightened or released.

#### Worm Pulling Jack



The Rosedowns Worm Forcing system utilises the standard Shaft Tensioning Jack to provide all the pull necessary to remove even the most stubborn part smoothly and safely from the Shaft.

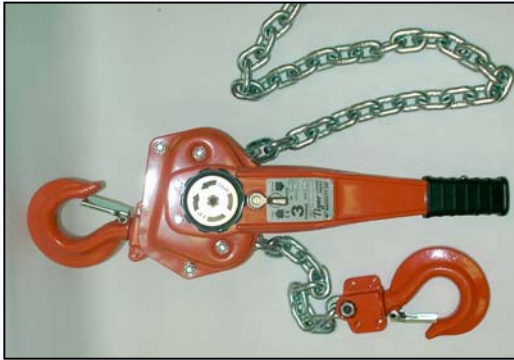
For the easier to move parts, a lower Pressure, and longer stroke Jack is also supplied



## Press Maintenance Tools

### Hand Tools and Accessories

#### Lever Lift



A Lever Lift suitable for use in the Press for raising and lowering the Press Cages.

800 & 600 Series – 3 Tonne Rating

400 & 200 Series – 2 Tonne Rating

100 Series – 1 Tonne rated Pull Lift

#### Cage Supports



The Cage supports hold the Cage when it is lowered to the Horizontal. They ensure that the Cage is Stable and Safe while the maintenance operations are being Carried out.

Normally a full set of 4 supports is supplied with each Press

#### Basic Hand Tools



A complete set of Basic Hand Tools, comprising Wrench Keys, Spanners, Crow Bar and Hammer suitable of the Bolts and Nuts on the Press.